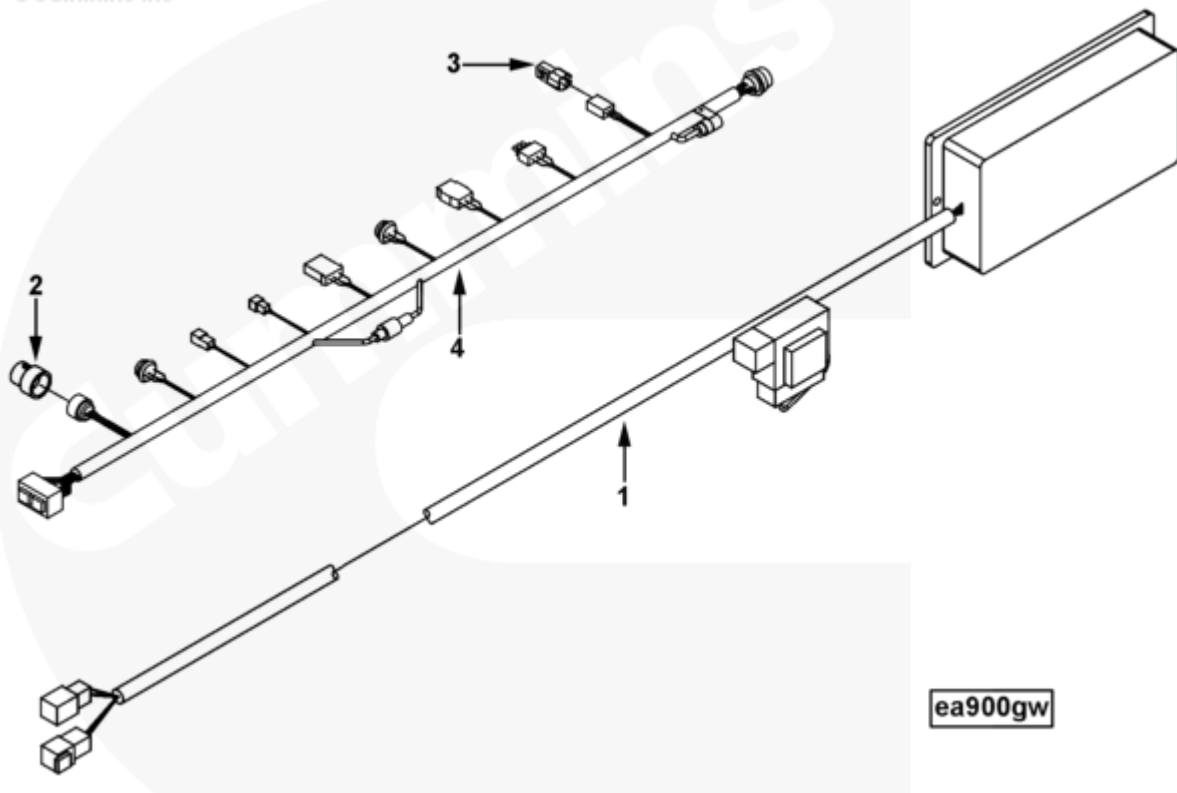




Parts Catalog - Option Detail

Electronic Parts Catalog - Option Detail				
Option	Group	Graphic	Film Card	Date
EA2707	21.01.1	ea900gw	II	23-FEB-05
Engines	ISM CM570, ISM CM570/870, ISM CM875, ISM CM876, ISM CM876 E, ISM11 CM876 M103, ISM11 CM876 SN, M11 CELECT, M11 CELECT PLUS, M11 MECHANICAL, QSM11 CM570, QSM11 CM876			

©Cummins Inc



ea900gw

[SMALL](#) | [MEDIUM](#) | [LARGE](#)

Cart	Ref No	Part Number	Part Description	Required	Remarks
View My Cart					
		EA2707	Vessel Wiring Harness		
					Vessel Wiring Harness
					Engine Family: M11 Series
					Voltage: 24
					Harness Supplied: In Kit
					Harness Description:
					Vessel Side

					Harness Adapter, Includes
					Breakouts for Throttle,
					Remote Throttle and Vessel
					Sensors DC-DC Converter
					Included
<input type="checkbox"/>	1	3969769	Voltage Converter	1	
<input type="checkbox"/>		3999669	Wiring Harness	1	
<input type="checkbox"/>	2	3969768	Wiring Harness	1	
<input type="checkbox"/>	3	3972155	Wiring Harness	1	
	4	3999668	Wiring Harness	1	

© 2019 Cummins Inc., Box 3005, Columbus, IN 47202-3005 U.S.A.
Terms of Use and Disclaimers | Recommended System Requirements
Need Assistance? Please click on the Contact Us button in the top right corner of any page.